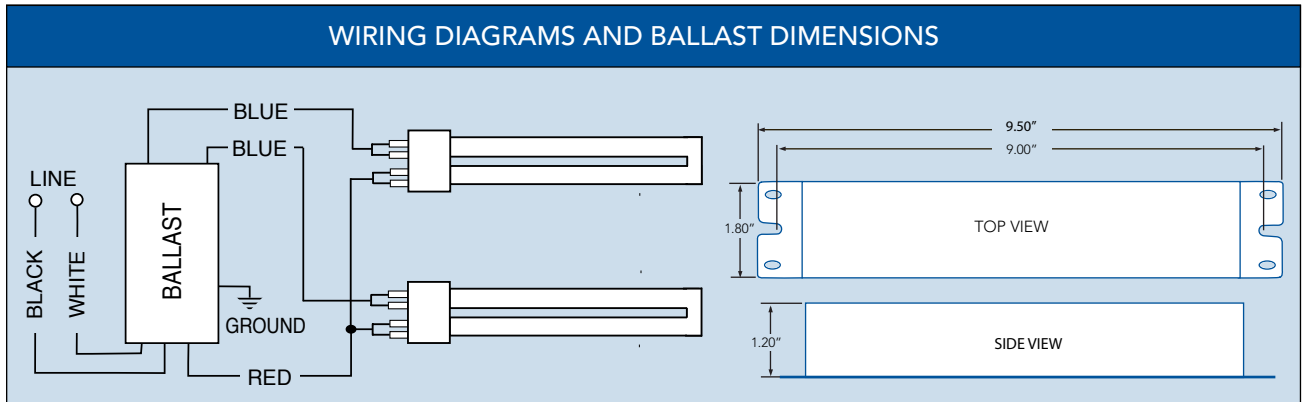


Instant Start Parallel Lamp Operation

ELECTRONIC FLUORESCENT

EP2/40IS-TT/MV/SC									
Lamp Type	No. of Lamps	Lamp Watts	Line Voltage	Ballast Factor	Input Watts	Input Current (amps)	Power Factor	THD	Ballast Efficacy Factor
FT40W/2G11	2	40	120	0.84	67	0.56	.99	<10%	1.25
FT40W/2G11	2	40	277	0.84	65	0.24	.99	<10%	1.29

• Specifications are subject to change without notice.



Ballast Specifications

- Ballast shall have a five year warranty
- Ballast shall be UL listed
- Ballast shall be sound rated Class A
- Ballast shall be Class P Type 1 Outdoor
- Ballast shall have a Lamp Current Crest Factor of <1.7
- Ballast shall withstand line transients as specified in ANSI C62.41-1991
- Ballast shall comply with the limits of FCC Part 18C Class A
- Ballast shall have a lamp operating frequency greater than 20kHz
- Ballast shall have a 0° F minimum lamp starting temperature for primary lamp
- Ballast shall be potted
- Ballast shall be Instant Start
- Ballast shall be Parallel Lamp Operation
- Ballast shall have minimum Power Factor of 99% for primary lamp operation
- Ballast shall operate within +/- 10% of the ballast specified line voltage at 60Hz
- Ballast shall have a maximum case hot spot temperature of 75°C

HOWARD[™]
LIGHTING PRODUCTS

Lighting **for life.**

www.HowardLightingProducts.com • 800.956.3456 • 601.422.1652 (fax)